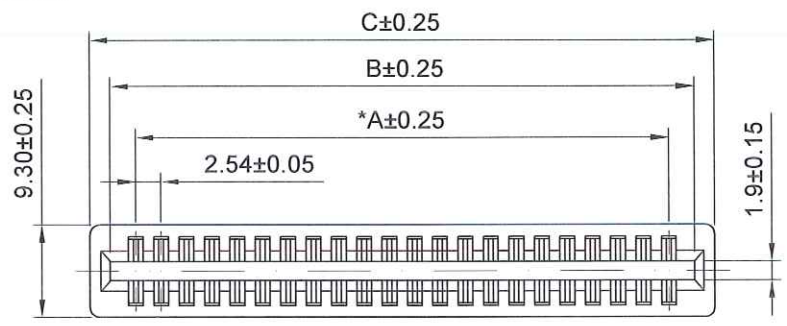


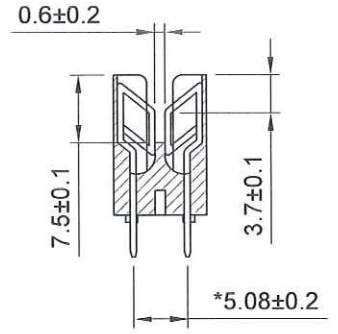
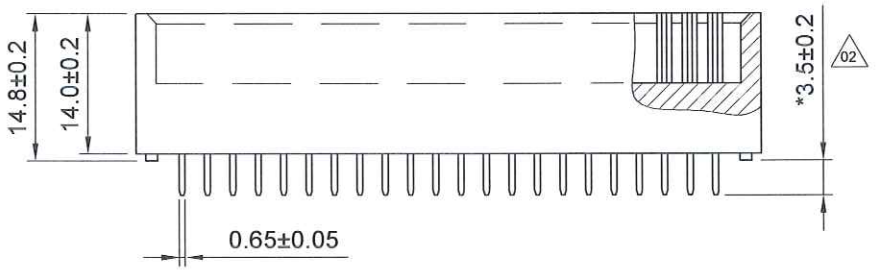


REV.	DESCRIPTION	DATE	APPR.
02	修改DIP長度(3.8→3.5)	2014/03/06	羅文含

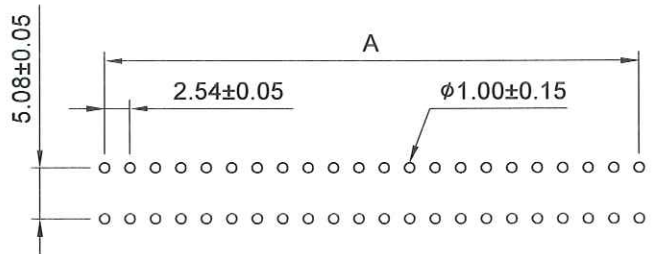


JAWS 兆旭  
 2014.11.24  
 文件管制發行章

**Specifications**  
 Current Rating : 3A  
 Insulation Resistance : 5000 MΩ min. at 500Vdc  
 Contact Resistance : 20 mΩ max.  
 Dielectric Withstanding : AC 1000V for 1 minute  
 Operating Temperature : -55°C ~ +105°C  
 Insertion Force : 340g max. Per Pair  
 Extraction Force : 28g min. Per Pair  
 Insulator Material : PBT+G.F., UL 94V-0  
 Contact Material : Brass  
 Finish : Gold flash plated on contact area  
           Tin plated on solder area  
           Nickel underplated overall



254Z-TS-xxP  
 No. of contacts



Recommended P.C.B. Layout

管 禁  
 制 止  
 文 影  
 件 印

No. of contacts	Dimensions		
	A	B	C
04	2.54	8.12	11.68
06	5.08	10.66	14.22
08	7.62	13.20	16.76
10	10.16	15.74	19.30
12	12.70	18.28	21.84
14	15.24	20.82	24.38
16	17.78	23.36	26.92
18	20.32	25.90	29.46
20	22.86	28.44	32.00
22	25.40	30.98	34.54
24	27.94	33.52	37.08
26	30.48	36.06	39.62
28	33.02	38.60	42.16
30	35.56	41.14	44.70
32	38.10	43.68	47.24
34	40.64	46.22	49.78
36	43.18	48.76	52.32
38	45.72	51.30	54.86
40	48.26	53.84	57.40
42	50.80	56.38	59.94

No. of contacts	Dimensions		
	A	B	C
44	53.34	58.92	62.48
46	55.88	61.46	65.02
48	58.42	64.00	67.56
50	60.96	66.54	70.10
52	63.50	69.08	72.64
54	66.04	71.62	75.18
56	68.58	74.16	77.72
58	71.12	76.70	80.26
60	73.66	79.24	82.80
62	76.20	81.78	85.34
64	78.74	84.32	87.88
66	81.28	86.86	90.42
68	83.82	89.40	92.96
70	86.36	91.94	95.50
72	88.90	94.48	98.04
80	99.06	104.64	108.20
86	106.68	112.26	115.82
100	124.46	130.04	133.60
120	149.86	155.44	159.00

兆旭股份有限公司  
 JAWS CO., LTD.  
 7F., No.31, Ln. 169, Kangning St., Xizhi Dist.,  
 New Taipei City 221, Taiwan (R.O.C.)  
 TEL:886-2-2692-2898  
 FAX:886-2-2692-2618  
 Http://www.jaws.com.tw

THIRD ANGLE PROJECTION		DESIGN UNITS ■ mm □ INCH
SIZE: A4	SCALE: FREE	SHEET: 1/1
CPN:		DWG NO.: JAWS-SOP-254Z001
DAN NO.: S10310-039		REV. 02

TITLE: 2.54mm Slot Connector  
 Straight Type  
 PARTS NO.: 254Z-TS-xxP

GENERAL TOLERANCES:	X.	±N/A	DRAWN	何明賢	DATE	2014/10/24
	X.X	±N/A	CHECKED	Allen	DATE	2014/10/24
	X.XX	±N/A	APPROVED	李思勤	DATE	2014/10/24
ANGLE	±N/A					